



## FITTING INSTRUCTIONS

### CC0240 DuraFlex® lid for 240 litre bins

#### Fitting parts:

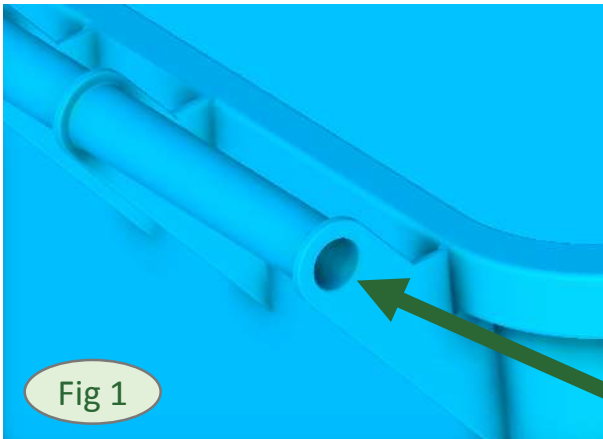


#### Available accessories for lid & bin:

- > **retaining handle** to keep lid closed & to prevent it from blowing open.
- > **replacement nose wheels & axles** for 120, 140 & 240 l bins.

#### DISCLAIMER:

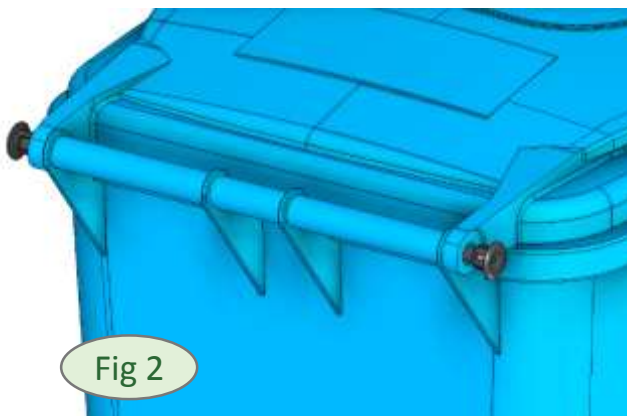
Container Components Europe Limited cannot be held responsible if our recommended method of fitting is not adhered to.



#### Fig. 1)

Check your wheelie bin hinge bar (or old pin) to find out whether a 13mm or 20mm pin is required.

Is internal diameter 13mm or 20mm?



#### Fig. 2)

Place the CC0240 lid as shown. Then place the two 13mm or 20mm pins loosely in the hinge bar holes as shown in the left picture.

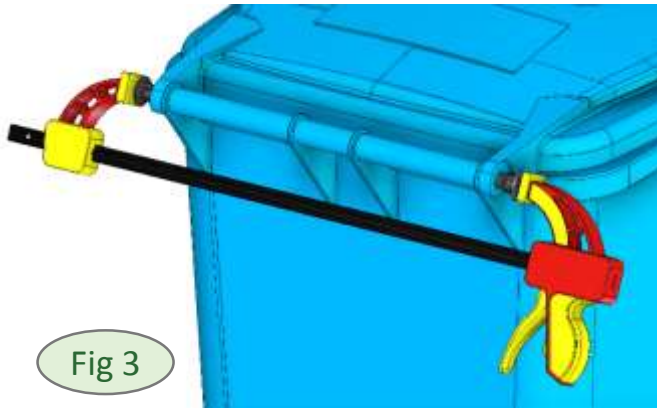


Fig 3

Fig 3)

Using a plastic quick clamp, place as shown and squeeze the two pins simultaneously into the holes on the wheelie bin hinge bars.

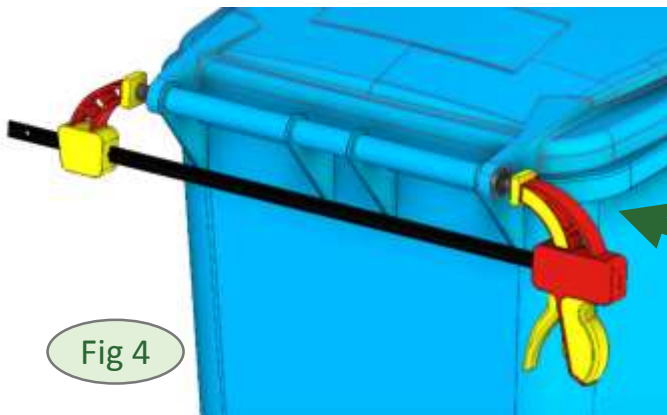


Fig 4

Fig 4 & 5)

Place the two pin bungs loosely into the large pins as shown and squeeze them into the large pins until flush.

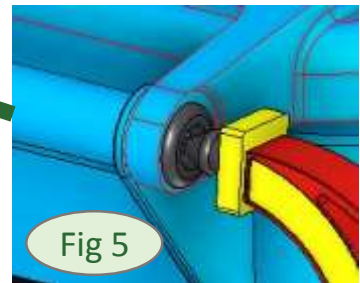


Fig 5

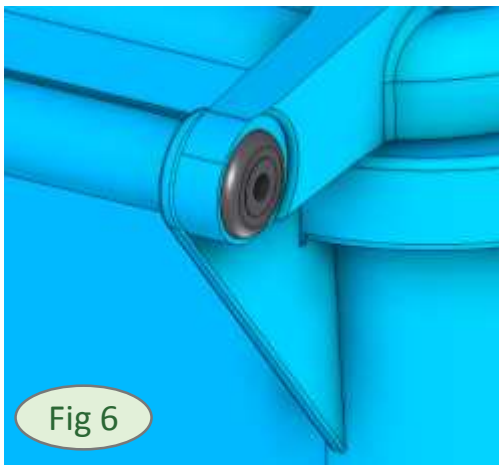


Fig 6

Fig 6)

The finished pins should now look neat and be fully functional and ready for use. Test lid works ok.

If you have any questions or if you need help:

Please feel free to contact us:

> By telephone:

> By email to our Sales team:

> By email to our Engineers dep.:

+44 (0)1246 853696

[enq@duraflexlids.co.uk](mailto:enq@duraflexlids.co.uk)

[mick@duraflexlids.co.uk](mailto:mick@duraflexlids.co.uk)